

KODIAK RESIDENTIAL

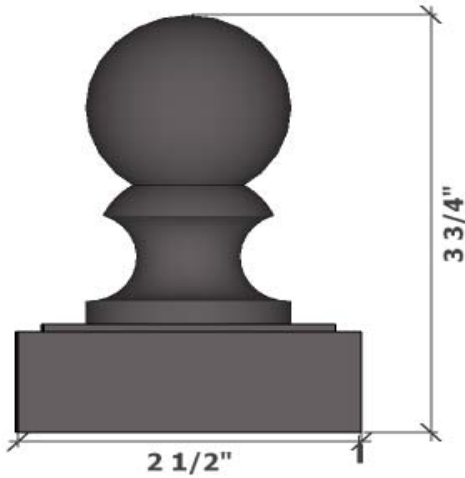
BALL CAPS

FINISH : PRE-GALVANIZED+POWDER COATED BLACK

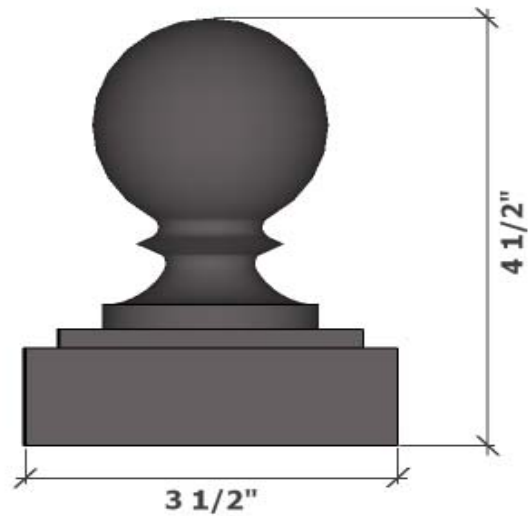
DETAILS : DECORATIVE STEEL CAPS, PLUG & INSERTS FOR POSTS AND RAILS



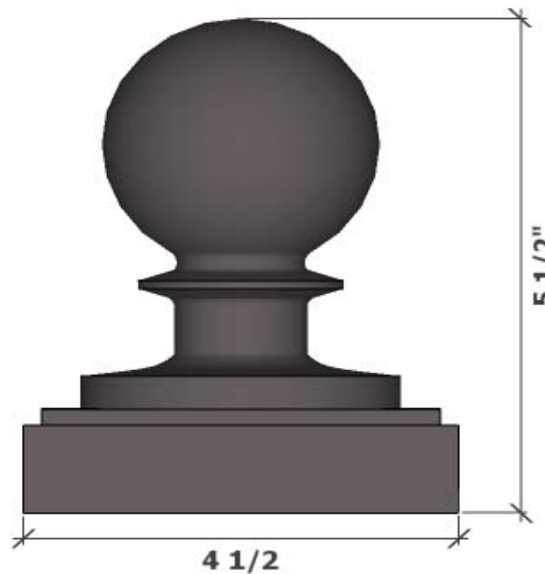
WEIGHT: 1.4 LBS
 ITEM#: KICAPNB22B



WEIGHT: 2.4 LBS
 ITEM#: KICAPNB33B



WEIGHT: 4 LBS
 ITEM#: KICAPNB44B



Proudly Distributed By:

Drawn By: Sharp, W	Description: Kodiak Residential Ball Caps		
Checked By: Wingo, C			
Date: September 23, 2011			
Customer: Kodiak Iron	DWG. No: 1 of 1	SERIES: Kodiak	
APPLICATION: Residential			