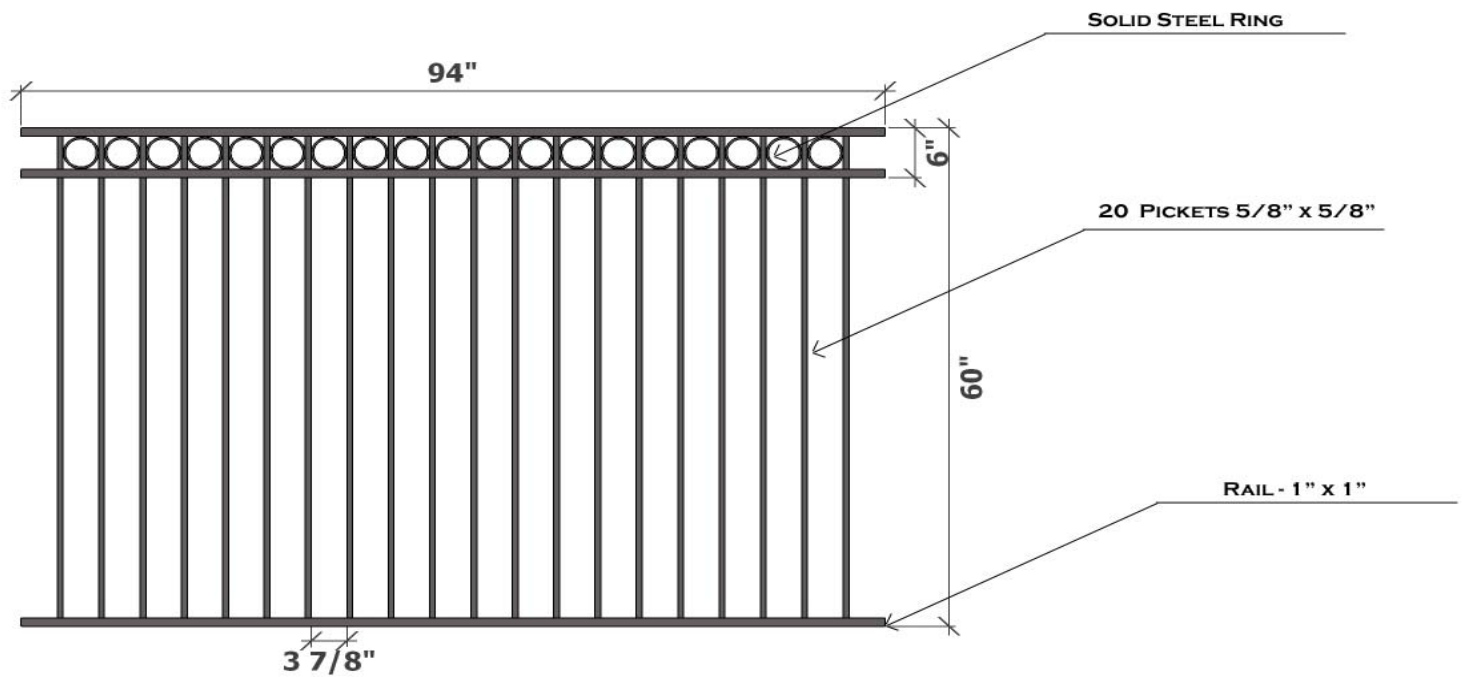


DENALI RESIDENTIAL GALVANIZED IRON FENCE PANEL

HEIGHT : 60"
 WIDTH : 94"
 WEIGHT : 62.11 LBS
 FINISH : PRE-GALVANIZED+POWDER COATED BLACK
 ITEM# : KIDEN60R8
 DETAILS : 5/8" X 5/8" SQ PICKETS, 1" X 1" SQ RAIL, 3 7/8" SPACING BETWEEN PICKETS



Proudly Distributed By:

Drawn By: Sharp, W	Description:		
Checked By: Wingo, C	Denali Residential Galvanized Iron Fence Panel		
Date: September 23, 2011			
Customer: Kodiak Iron	DWG. No: 1 of 1	SERIES: Denali	
	APPLICATION: Residential		