

KODIAK HARDWARE

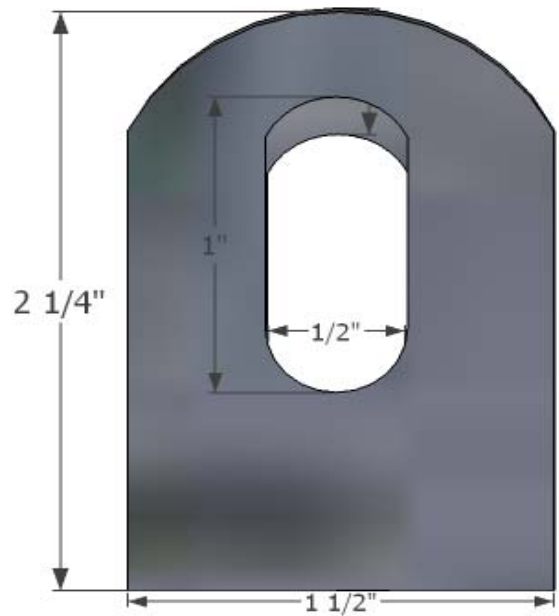
ROLLER BEARING HINGE

SIZE : 4"

WEIGHT : 2.45 LBS

FINISH : ZINC COATED BLACK

ITEM# : KIHDSH3B



Proudly Distributed By:

Drawn By: Sharp, W	Description:		
Checked By: Wingo, C	Kodiak Hardware Roller Bearing Hinge		
Date: September 23, 2011			
Customer: Kodiak Iron	DWG. No: 1 of 1	SERIES: Kodiak	
APPLICATION: Hardware			