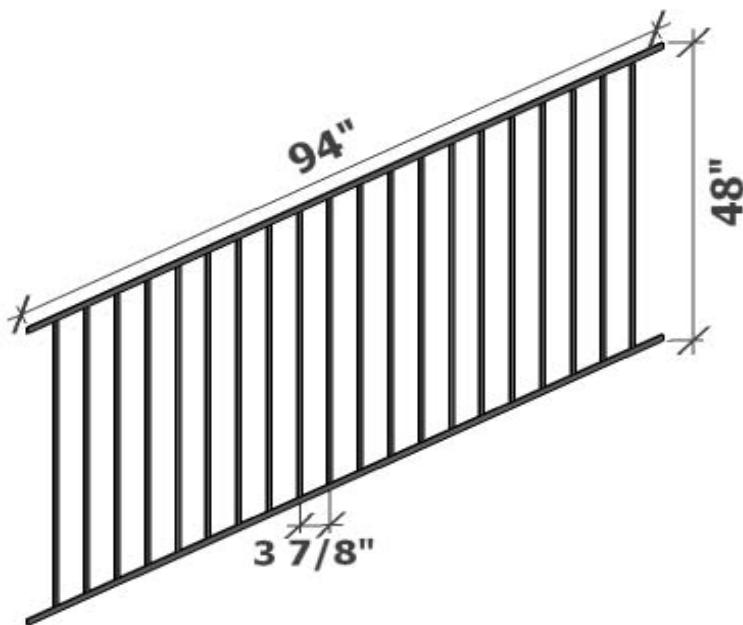
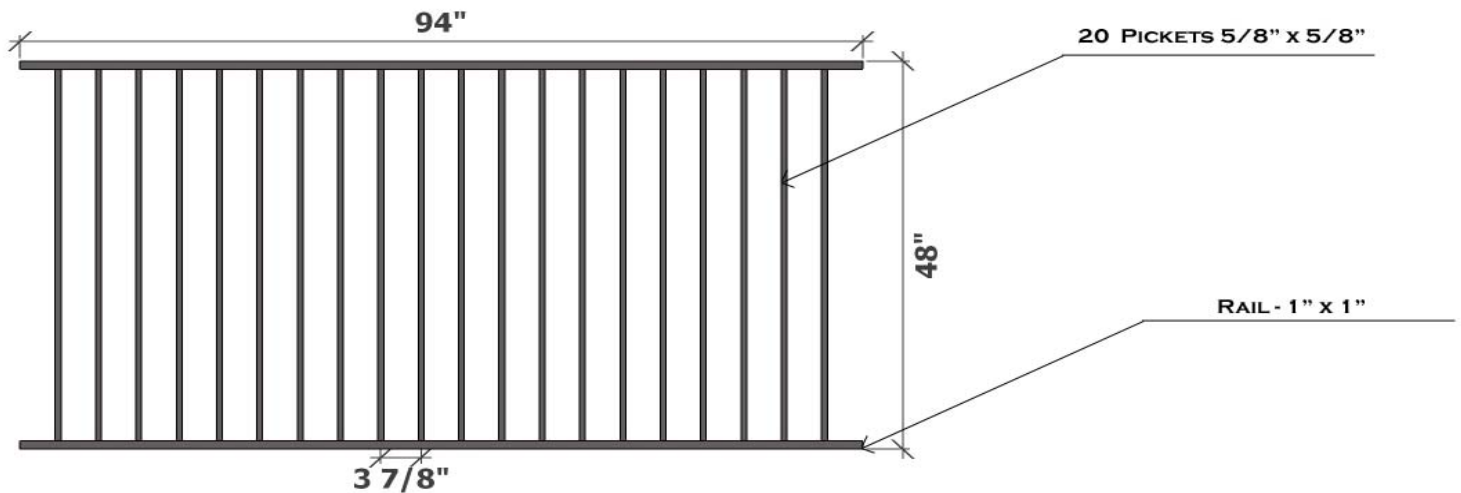


YUKON RAKE RESIDENTIAL GALVANIZED IRON FENCE PANEL
 HEIGHT : 48"
 WIDTH : 94"
 WEIGHT : 42.51 LBS
 FINISH : PRE-GALVANIZED+POWDER COATED BLACK
 ITEM# : KIRAKY48R8
 DETAILS : 5/8" X 5/8" SQ PICKETS, 1" X 1" SQ RAIL, 3 7/8" SPACING BETWEEN PICKETS



roudly Distributed By:

Drawn By: Sharp, W	Description: Yukon Rake Residential Galvanized Iron Fence Panel	
Checked By: Wingo, C		
Date: September 23, 2011		
Customer: Kodiak Iron	DWG. No: 1 of 1	SERIES: Yukon Rake
	APPLICATION: Residential	