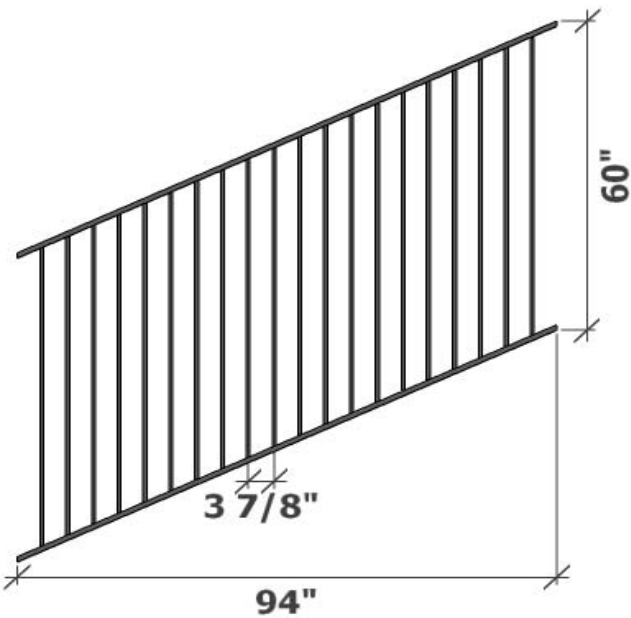
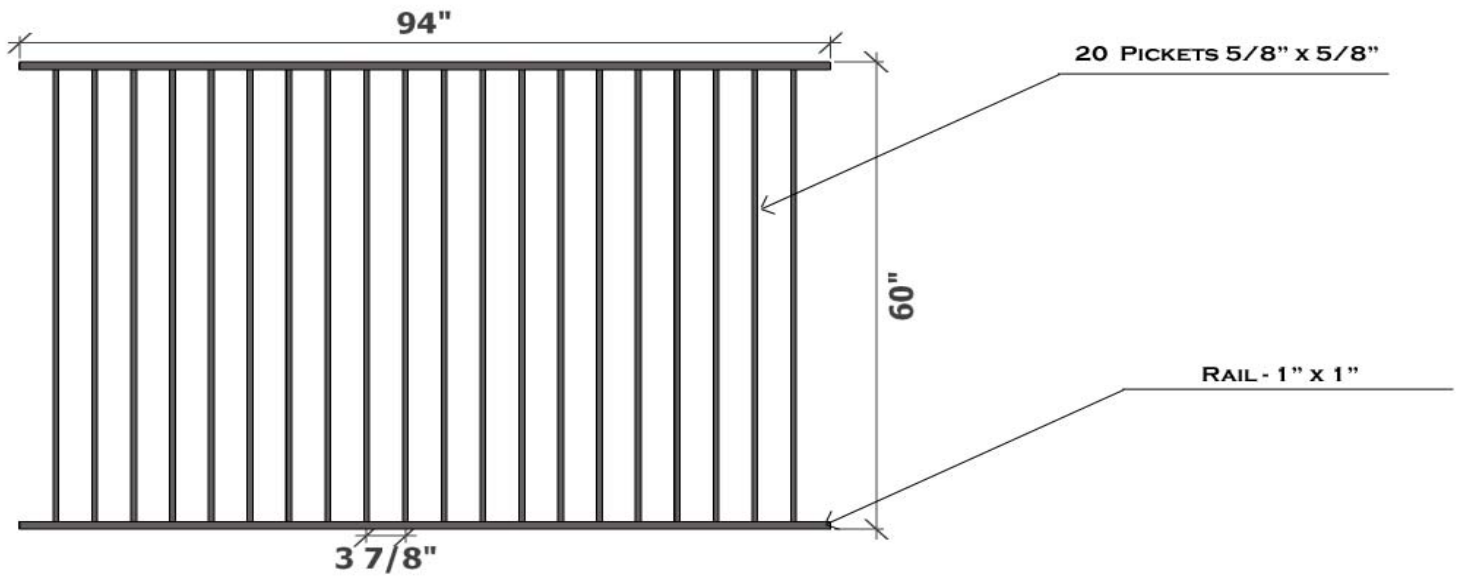


YUKON RAKE RESIDENTIAL GALVANIZED IRON FENCE PANEL  
 HEIGHT : 60"  
 WIDTH : 94"  
 WEIGHT : 50 LBS  
 FINISH : PRE-GALVANIZED+POWDER COATED BLACK  
 ITEM# : KIRAKEY60R8  
 DETAILS : 5/8" X 5/8" SQ PICKETS, 1" X 1" SQ RAIL, 3 7/8" SPACING BETWEEN PICKETS



*Proudly Distributed By:*

Drawn By: Sharp, W	Description: Yukon Rake Residential Galvanized Iron Fence Panel		
Checked By: Wingo, C			
Date: September 23, 2011			
Customer: Kodiak Iron	DWG. No: 1 of 1	SERIES: Yukon Rake	
APPLICATION: Residential			