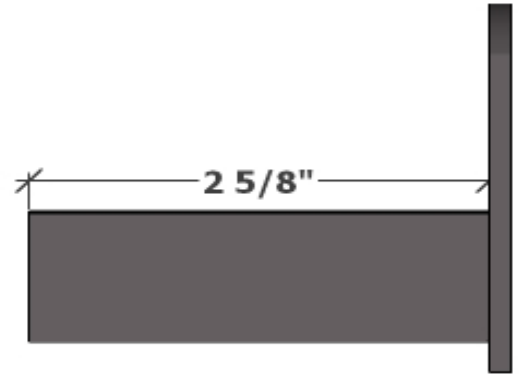
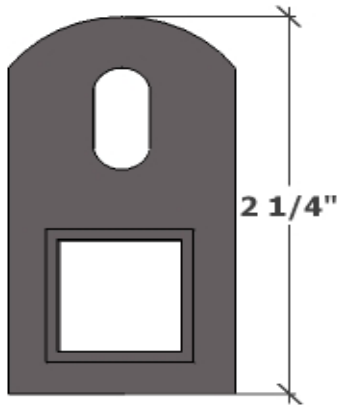
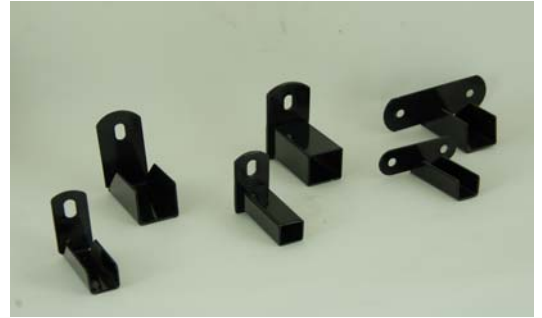


KODIAK HARDWARE STRAIGHT MOUNTING BRACKETS

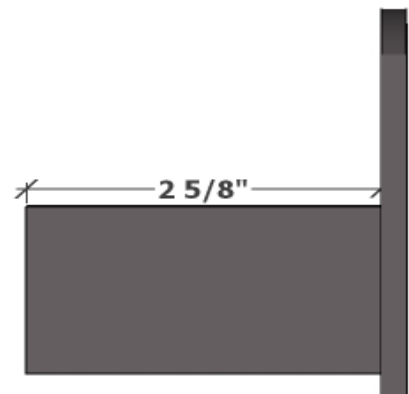
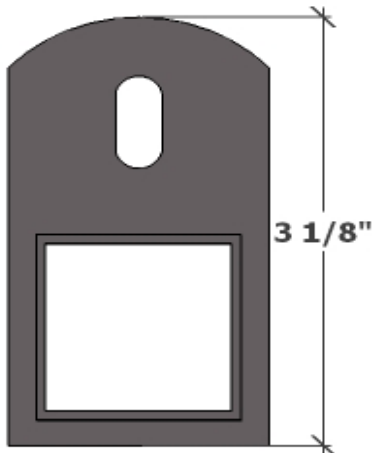
FINISH : PRE-GALVANIZED + POWDER COATED BLACK

DETAILS : KODIAK IRON FENCE MOUNTING BRACKETS INCLUDE A SELF DRILLING TAPPING SCREW



NAME	SIZE	WEIGHT	ITEM #
STRAIGHT PANEL	1"	0.35 LBS	KISPMB1B

NAME	SIZE	WEIGHT	ITEM #
STRAIGHT PANEL	1 1/2"	0.57 LBS	KISPMB15B



Proudly Distributed By:

Drawn By: Sharp, W	Description:				
Checked By: Wingo, C	Kodiak Hardware Straight Mounting Brackets				
Date: September 23, 2011					
Customer: Kodiak Iron	<table style="width: 100%; border: none;"> <tr> <td style="border: none; width: 50%;">DWG. No: 1 of 1</td> <td style="border: none; width: 50%;">SERIES: Kodiak</td> </tr> <tr> <td colspan="2" style="border: none;">APPLICATION: Hardware</td> </tr> </table>		DWG. No: 1 of 1	SERIES: Kodiak	APPLICATION: Hardware
DWG. No: 1 of 1	SERIES: Kodiak				
APPLICATION: Hardware					