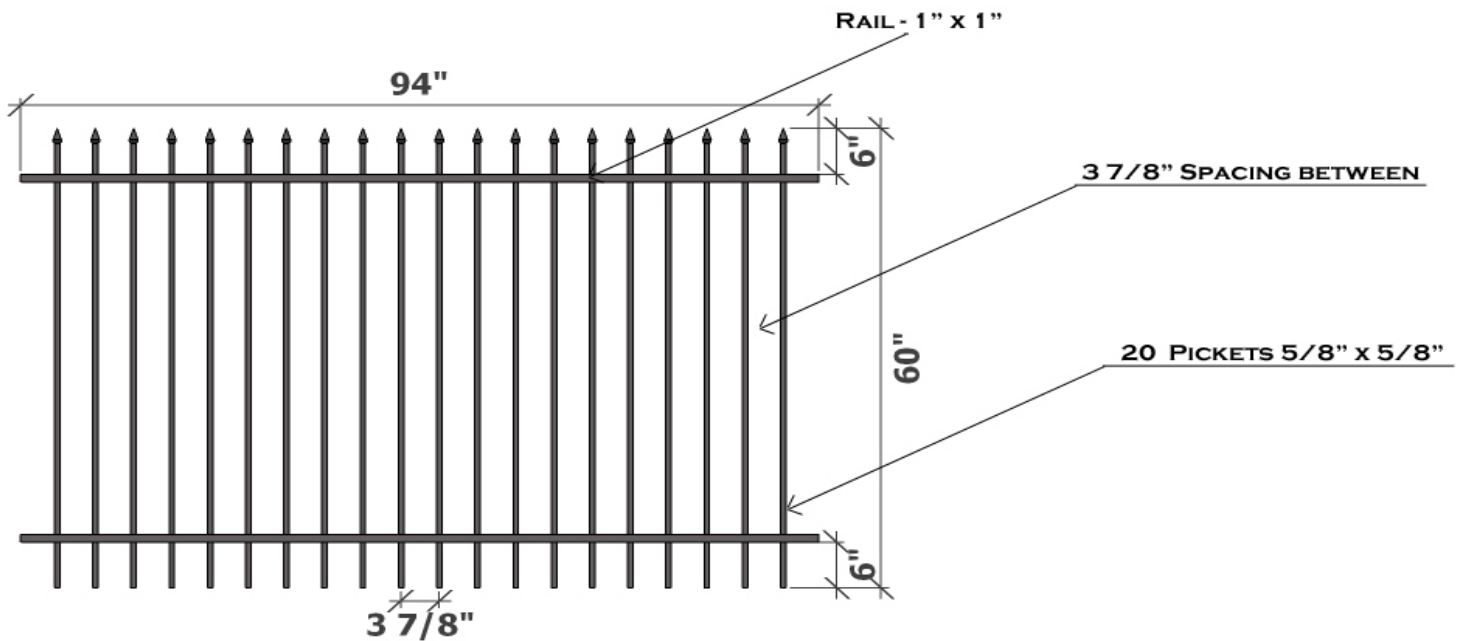


SUMMIT RESIDENTIAL GALVANIZED IRON FENCE PANEL
 HEIGHT : 60"
 WIDTH : 94"
 WEIGHT : 48.68 LBS
 FINISH : PRE-GALVANIZED+POWDER COATED BLACK
 ITEM# : KISUM60R8
 DETAILS : 5/8" X 5/8" SQ PICKETS, 1" X 1" SQ RAIL, 3 7/8" SPACING BETWEEN PICKETS



Proudly Distributed By:

Drawn By: Sharp, W	Description:	
Checked By: Wingo, C	Summit Residential Galvanized Iron Fence Panel	
Date: September 23, 2011		
Customer: Kodiak Iron	DWG. No: 1 of 1 SERIES: Summit	
	APPLICATION: Residential	