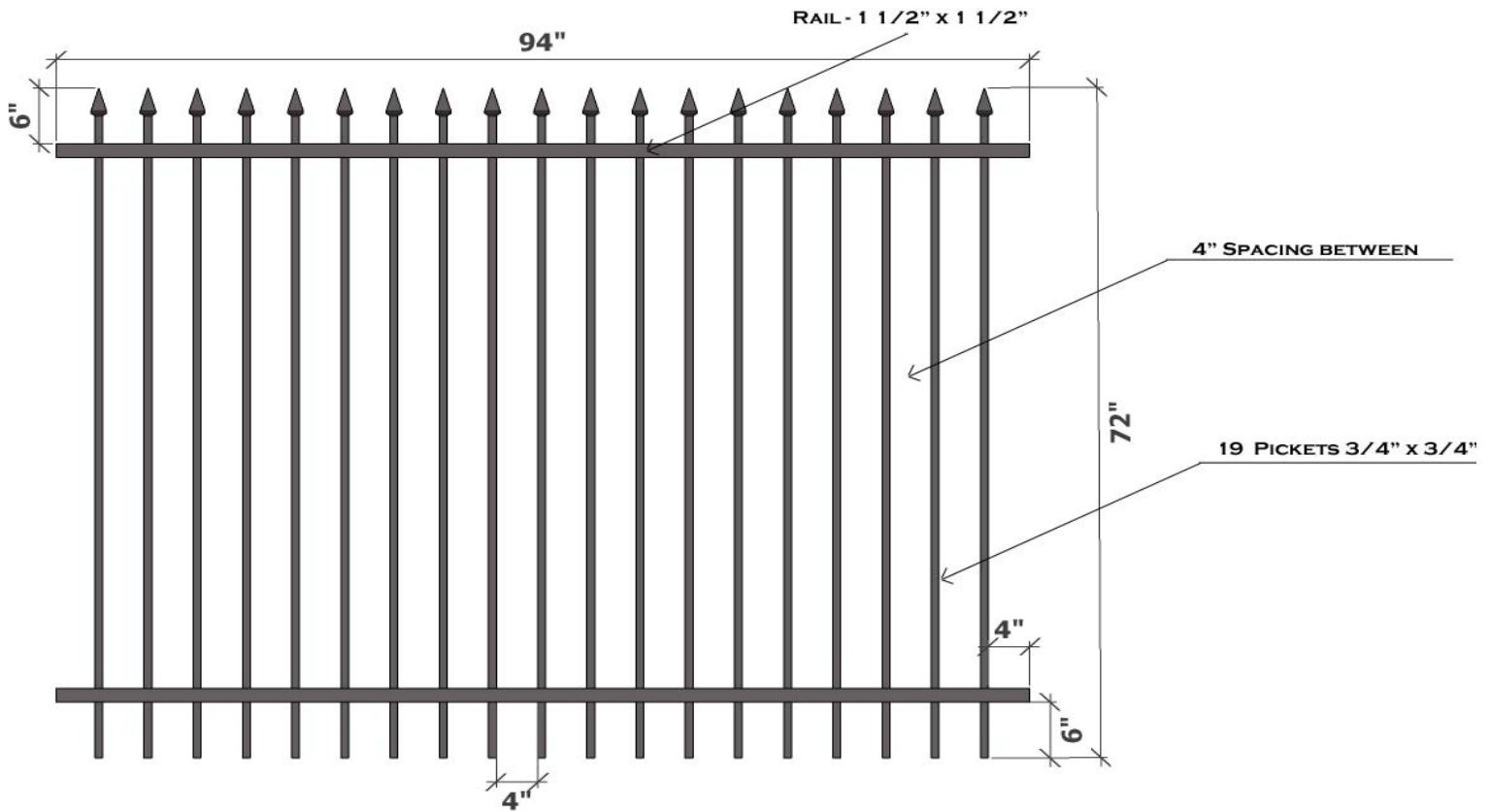


SUMMIT COMMERCIAL GALVANIZED IRON FENCE PANEL

HEIGHT : 72"
 WIDTH : 94"
 WEIGHT : 70.26 LBS
 FINISH : PRE-GALVANIZED+POWDER COATED BLACK
 ITEM# : KISUM72C8
 DETAILS : 3/4" X 3/4" SQ PICKETS, 1 1/2" X 1 1/2" SQ RAIL, 4" SPACING BETWEEN PICKETS



Proudly Distributed By:

Drawn By: Sharp, W	Description: Summit Commercial Galvanized Iron Fence Panel		
Checked By: Wingo, C			
Date: September 23, 2011			
Customer: Kodiak Iron	DWG. No: 1 of 1	SERIES: Summit	
APPLICATION: Commercial			