



# KODIAK IRON

EXCEPTIONAL FENCING • EXTRAORDINARY CUSTOMER SERVICE

VISIT US ONLINE AT  
KODIAKIRON.COM

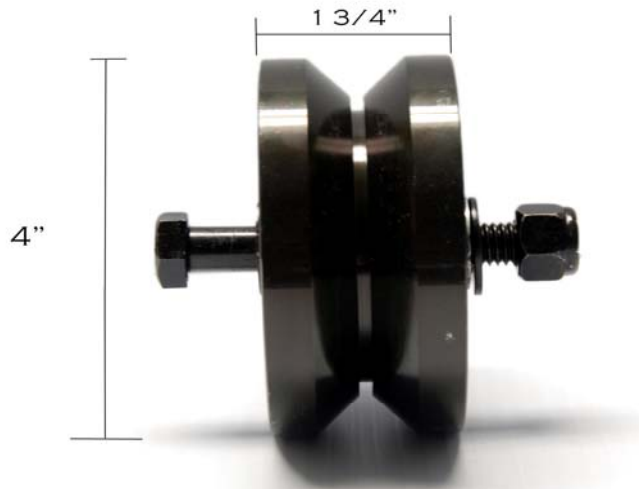
KODIAK HARDWARE

V-GROOVE SEALED WHEEL

V-GROOVE SEALED WHEEL 4"

WEIGHT: 2.39 LBS

ITEM#: KIVGS400B

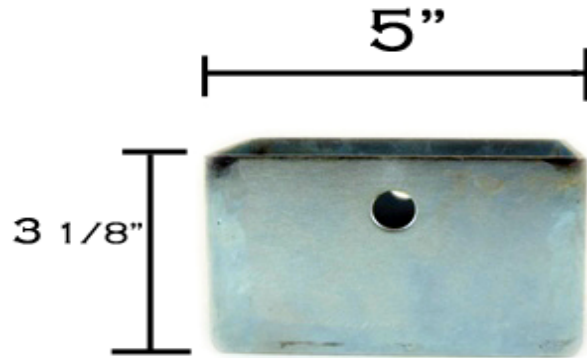


V-GROOVE BOX 4"

WEIGHT: 1.4 LBS

ITEM#: KIVGB400B

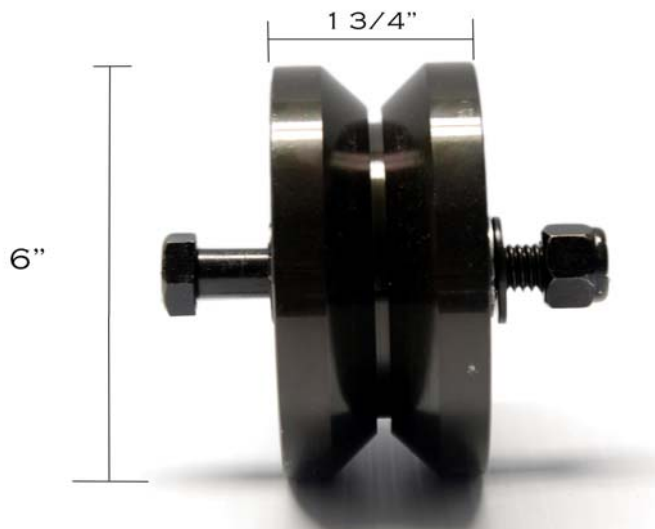
DIMENSIONS: 2 1/4" W, 5" L, 3 1/8" H



V-GROOVE SEALED WHEEL 6"

WEIGHT: 5.63 LBS

ITEM#: KIVGS600B

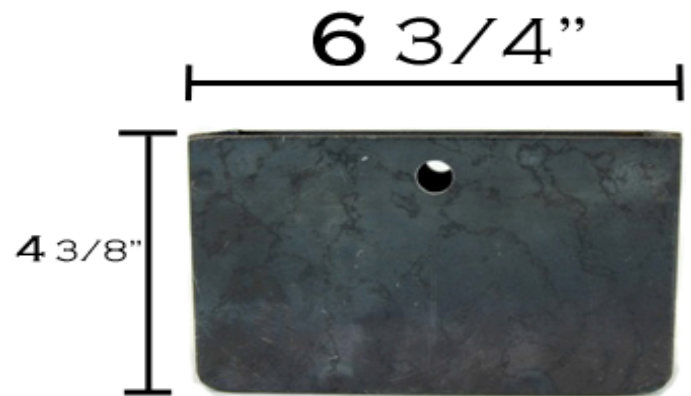


V-GROOVE BOX 6"

WEIGHT: 3.6 LBS

ITEM#: KIVGB600B

DIMENSIONS: 2 1/4" W, 6 3/4" L, 4 3/8" L



*Proudly Distributed By:*

Drawn By: Sharp, W	Description: Kodiak Hardware V-Groove Sealed Wheel		
Checked By: Wingo, C			
Date: September 23, 2011			
Customer: Kodiak Iron	DWG. No: 1 of 1	SERIES: Kodiak	
		APPLICATION: Hardware	