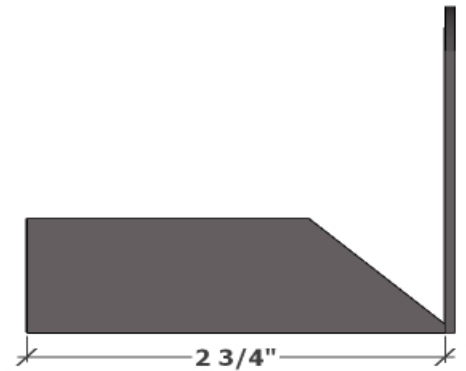
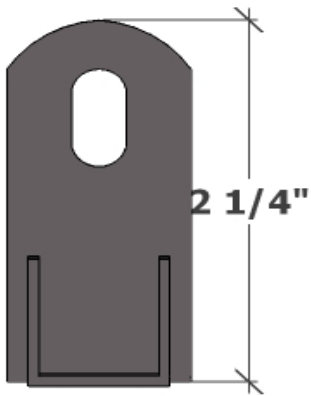
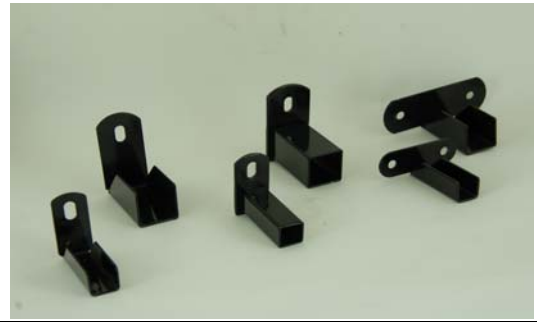


KODIAK RESIDENTIAL VERTICAL MOUNTING BRACKETS

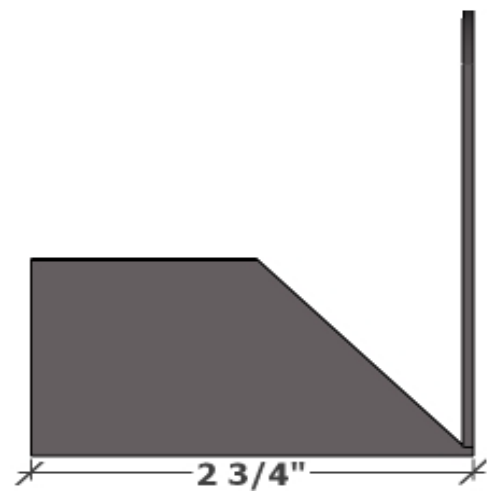
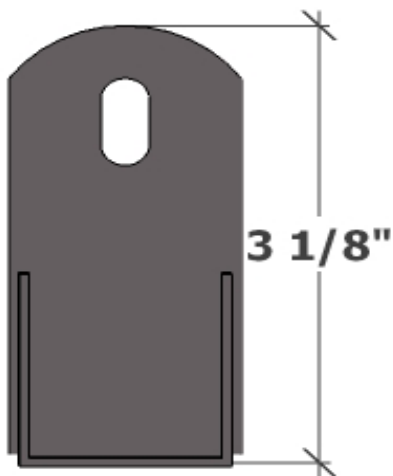
FINISH : PRE-GALVANIZED + POWDER COATED BLACK

DETAILS : KODIAK IRON FENCE MOUNTING BRACKETS INCLUDE A SELF DRILLING TAPPING SCREW



NAME	SIZE	WEIGHT	ITEM #
VERTICAL RAKE	1"	0.26 LBS	KIVPMB1B

NAME	SIZE	WEIGHT	ITEM #
VERTICAL RAKE	1 1/2"	0.51 LBS	KIVPMB15B



*Proudly Distributed By:*

Drawn By: Sharp, W	Description: Kodiak Residential Vertical Mounting Brackets		
Checked By: Wingo, C			
Date: September 23, 2011			
Customer: Kodiak Iron	DWG. No: 1 of 1	SERIES: Kodiak	
APPLICATION: Residential			