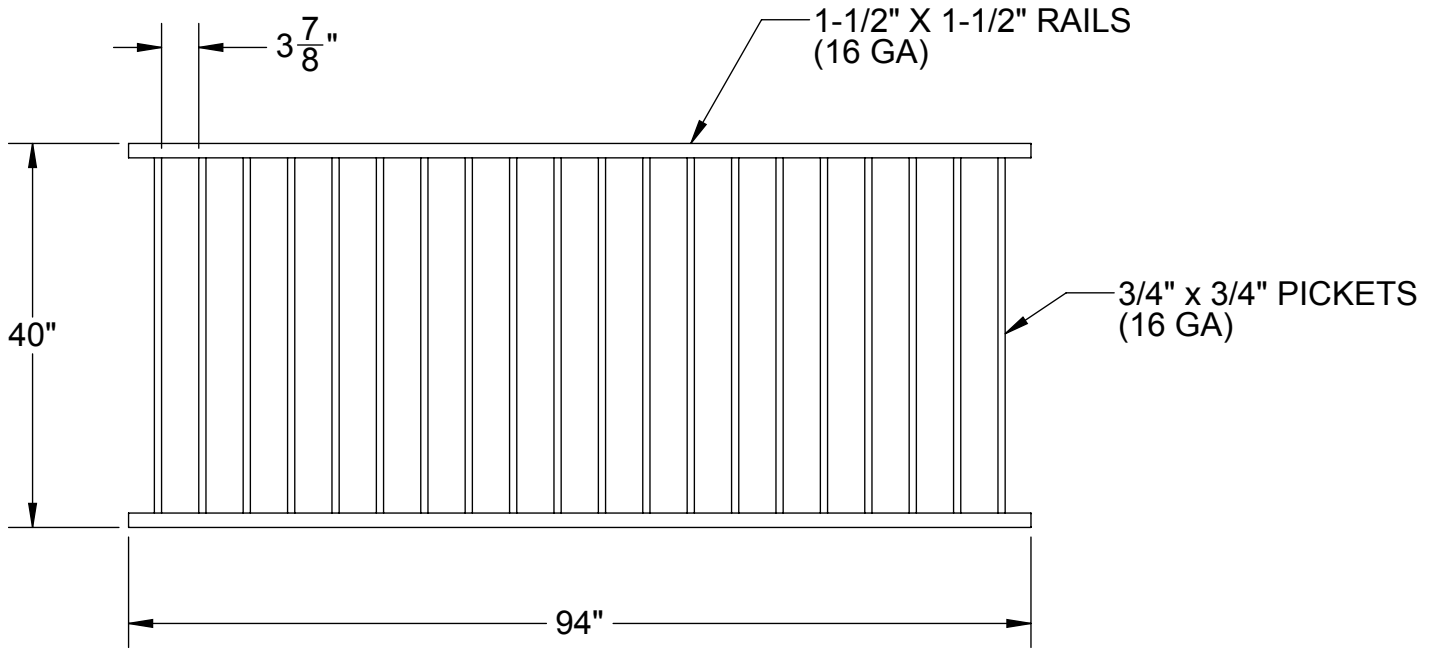


SPECIFICATIONS

HEIGHT	40"
LENGTH	94"
WEIGHT	44.25 LBS.
FINISH	PRE-GALVANIZED AND POWDER COATED BLACK
PART NUMBER	KIYUK40C8



DRAWN BY: J. WHETSTONE	KODIAK IRON	437 US HIGHWAY 80 SUNNYVALE, TX 75182 www.kodiakiron.com	
CHECKED BY: C. BROWN		TITLE: COMMERCIAL IRON HANDRAIL PANEL	
DATE: 4/25/2014	SERIES: YUKON		SHEET: 1 OF 1
CUSTOMER: KODIAK IRON	APPLICATION: COMMERCIAL		