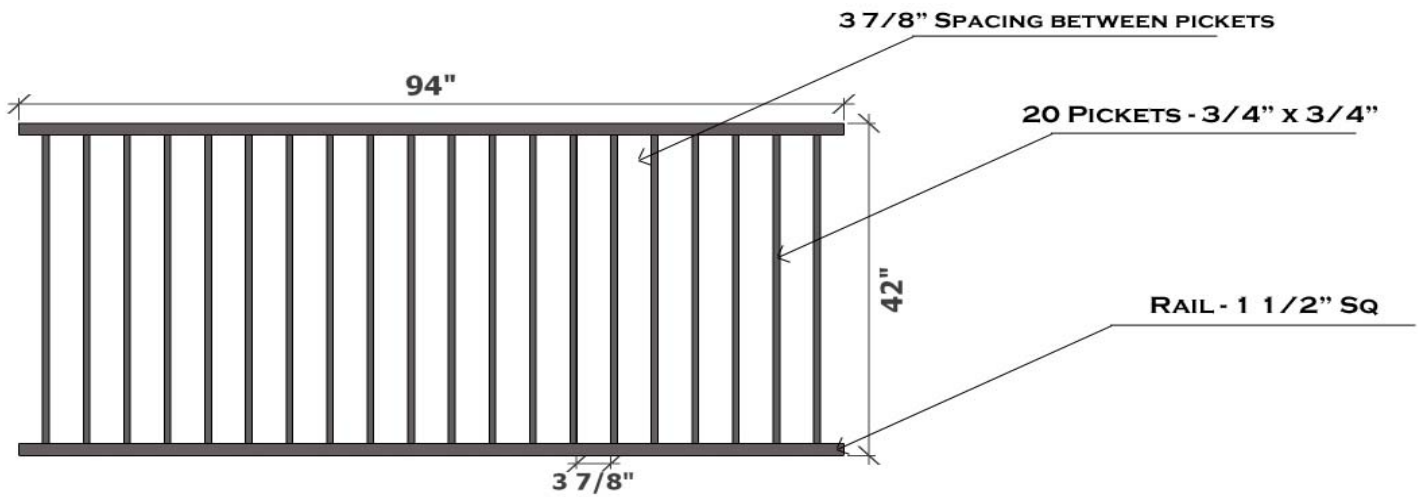


YUKON COMMERCIAL GALVANIZED IRON HANDRAIL PANEL

HEIGHT : 42"
 WIDTH : 94"
 WEIGHT : 44.251 LBS
 FINISH : PRE-GALVANIZED+POWDER COATED BLACK
 ITEM# : KIYUK42C8
 DETAILS : 3/4" X 3/4" SQ PICKETS, 1 1/2" X 1 1/2" SQ RAIL, 3 7/8"
 SPACING BETWEEN PICKETS



Proudly Distributed By:

Drawn By: Sharp, W	Description:		
Checked By: Wingo, C	Yukon Commercial Galvanized Iron Handrail Panel		
Date: September 23, 2011			
Customer: Kodiak Iron	DWG. No: 1 of 1	SERIES: Yukon	
	APPLICATION: Commercial		